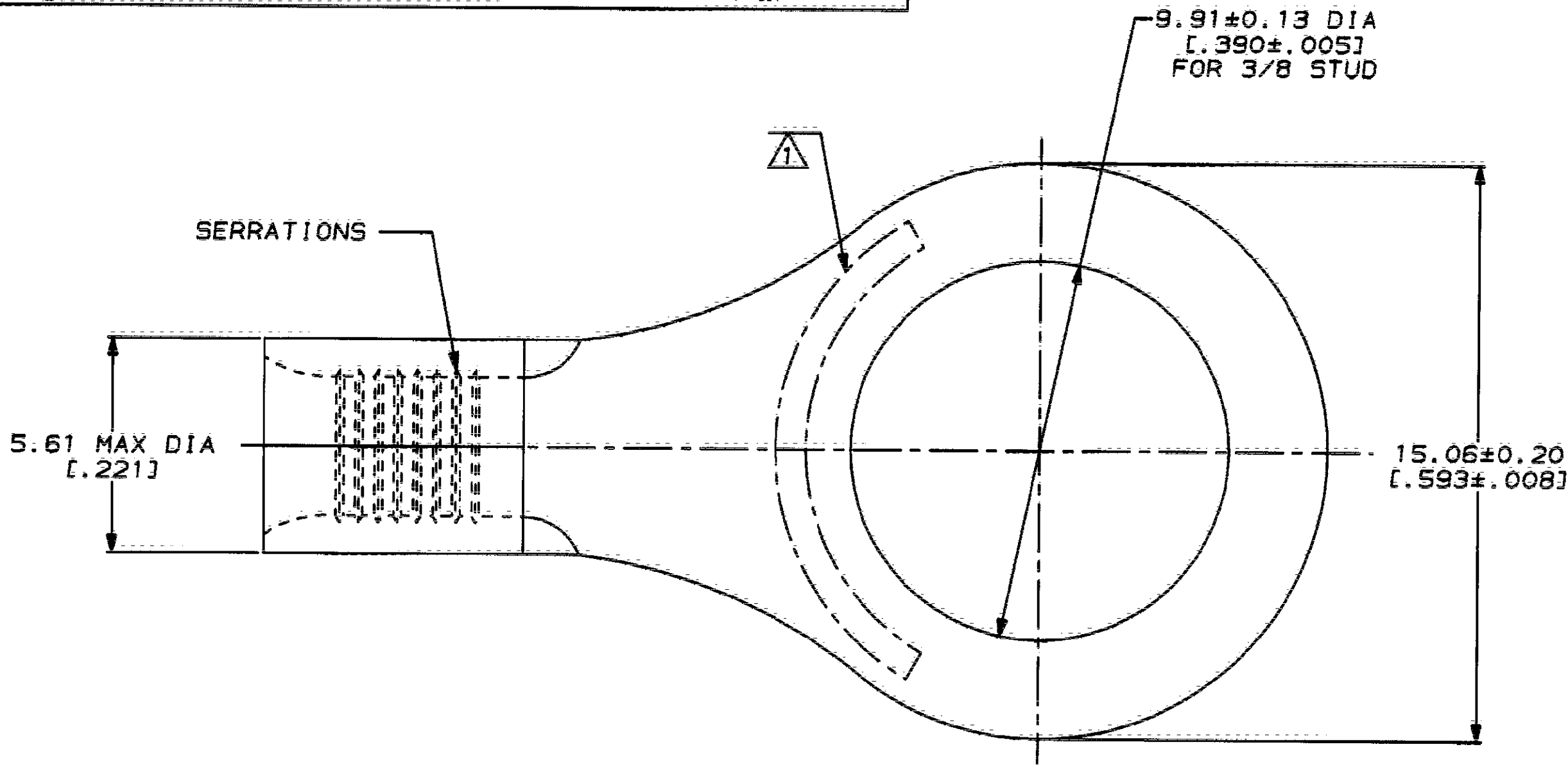


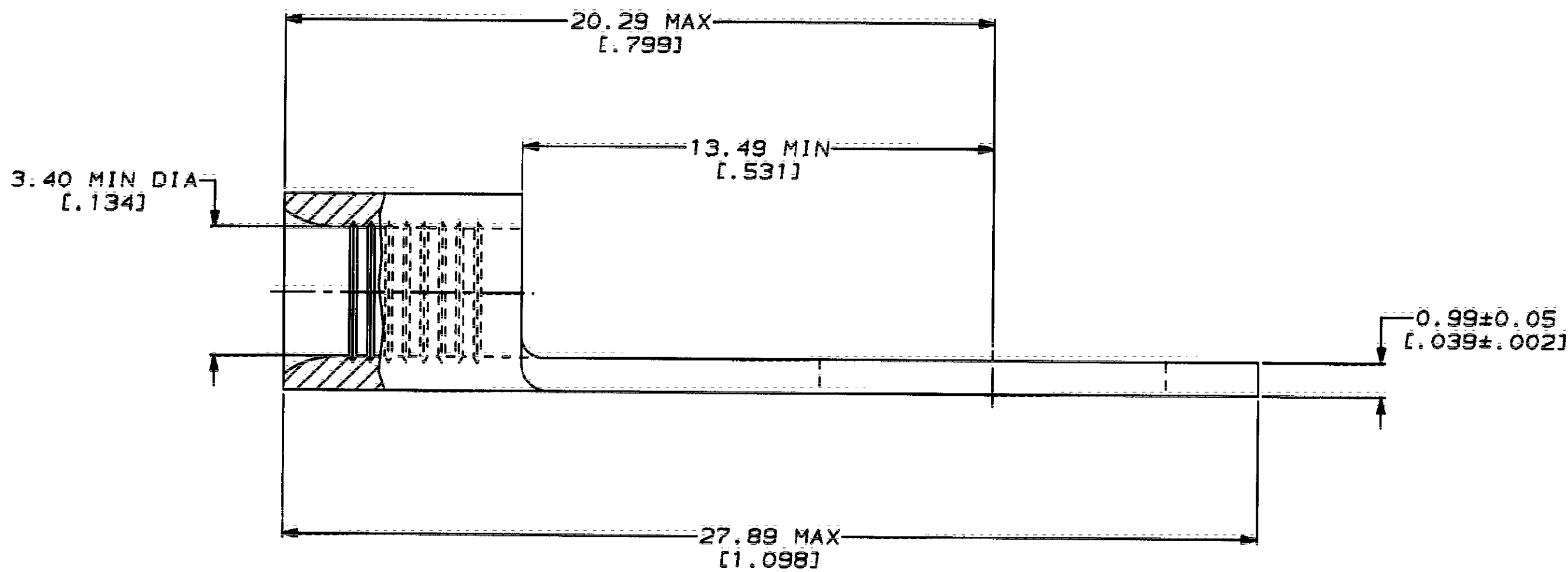
LOC	DIST	ZONE	LTR	REVISIONS	DATE	APPRO
G	14		J	REVISED PER 0720-0230-93	2/25/94	DAP

METRIC
 DIMENSIONS LISTED IN mm [INCHES]



AMP WIRE RANGE	UL E13288 Listed
12-10 AWG STRANDED	12-10 AWG STRANDED
LR7189 Certified	MILITARY P/N AND CLASS
NOT CERTIFIED	NOT APPLICABLE

△ STAMP AMP 12-10* APPROX AS SHOWN



30972
 PART NO

AMP INCORPORATED
CUSTOMER SERVICE SYSTEMS

MAX RECOMMENDED OPERATING
 TEMPERATURE:
 170°C MAX

DO NOT SCALE PRINT.
 UNLESS SPECIFIED
 DIMENSIONS IN mm [INCHES]
 TOLERANCES ON :
 2 PLC DEC ± -
 3 PLC DEC ± -
 ANGLES ± -

DR 2-9-93
 TA BRINKMAN

CHK 2-9-93
 DA PATTERSON

APPD 2-9-93
 DE MILLER

APPD 2-9-93
 JL HECKLEY

PRODUCT SPEC

APPLICATION SPEC

WEIGHT

AMP AMP Incorporated
 Harrisburg, PA 17105-3608

NAME
**TERMINAL, RING TONGUE,
 BUDGET**

VOLTAGE RATING:
 NOT APPLICABLE

WIRE CROSS SECTIONAL AREA RANGE:
 2.62-6.64mm² [5,180-13,100] CIR MILS
 STRANDED

FINISH
 TIN PLATE
 0.00254 [0.00100] MIN
 THK PER MIL-T-10727

SIZE
 CAGE CODE
 DRAWING NO

C 00779 C-30972

SCALE 8:1 SHEET 1 OF 1

THIS DRAWING IS A CONTROLLED DOCUMENT FOR
 AMP INCORPORATED. IT IS SUBJECT TO CHANGE
 AND THE CONTROLLING ENGINEERING ORGANIZATION
 SHOULD BE CONTACTED FOR THE LATEST REVISION.